

# CASCADE™

*Signature Cut Shingles*

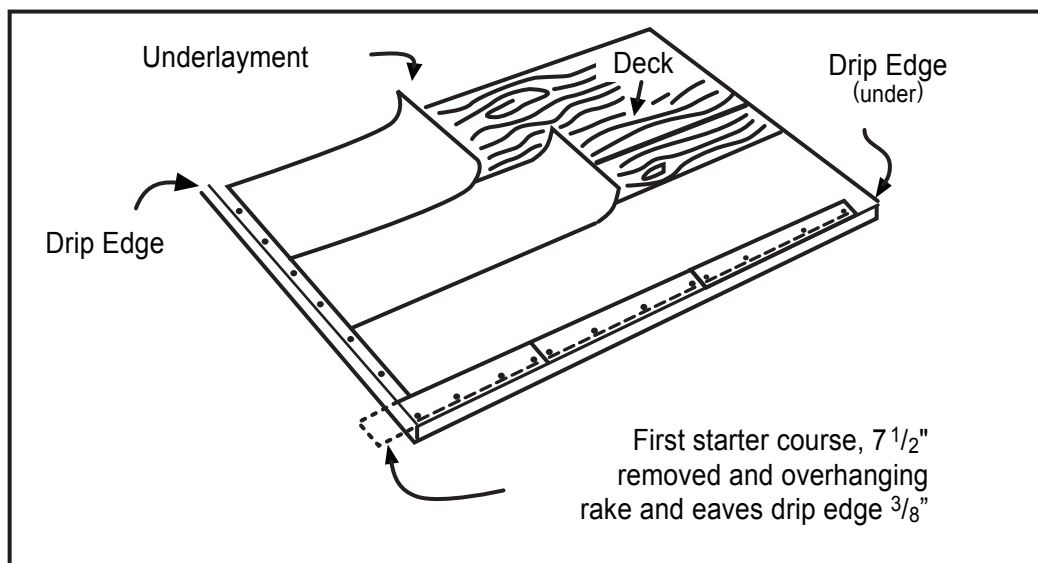
## Getting Started

### General Instructions

This technical bulletin is focused on getting Cascade™ shingle installation started correctly. Specifically, this bulletin details the application of PABCO® Universal Starter, Paramount® Starter, and the first few courses of Cascade™. These instructions provide details for generating the diagonal application pattern for Cascade™ shingles. This diagonal application pattern generates the intended roof appearance, covers all of the shingle end joints, and properly positions the sealant stripe. This provides maximum leak and wind resistance. These instructions are written for starting at a left hand corner and generate a right to left diagonal going up the roof. Cascade™ can also be applied with a left to right diagonal application if starting from a right hand rake edge.

Apply underlayment, drip edge, eaves, and valley flashing materials before starting the application of shingles. See our Cascade™ Application Instructions - Directions For Application for additional details.

The first starter course is started with PABCO® Universal Starter. Remove 7 1/2" from the end. PABCO® recommends the use of nails. Apply Universal Starter with 4 nails 1" long, placed just above the sealant stripe. In high wind areas, apply Universal Starter with 6 nails. Apply the piece at the lower left corner of the deck with the granule side up and the sealant at the eave, overhanging the drip edge 3/8" at the rake and eaves. Finish across the deck with full length pieces.



# CASCADE™

*Signature Cut Shingles*

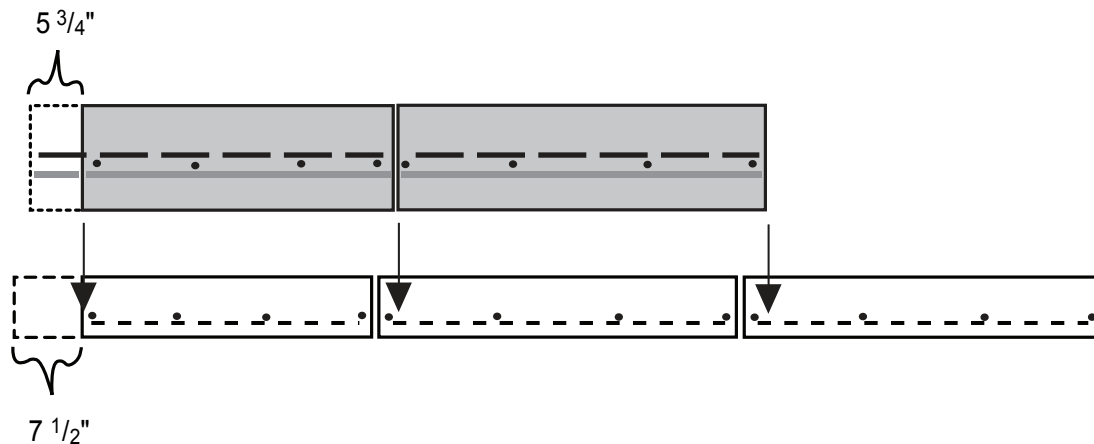
## Getting Started

The second starter course is started with a piece of Paramount® Starter matching the color of Cascade™ for the rest of the roof. Remove 5 3/4" from the end. Apply the piece at the lower left corner of the deck, aligned at the eaves and rake with the first starter (overhanging drip edge 3/8").

Attach with 4 roofing nails at least 1" long, placed in the nail area. The nail area is above the shadow line (darker colored band of granules) and below the sealant stripe. Use 6 nails for high wind applications.

NAILS MUST BE ABOVE THE SHADOW LINE to assure that they will not be exposed in the spaces between the teeth of the Cascade™ shingle that will cover this starter course. Finish across the deck with full length pieces.

Second starter course, Paramount® Starter, 5 3/4" removed from the first piece and aligned at rake and eaves with first starter. Follow first piece with full shingles applied across the roof to finish the course.



First starter course, PABCO® Universal Starter, 7 1/2" removed from the first piece. Follow the first piece with full shingles applied across the roof to finish the course.



# CASCADE™

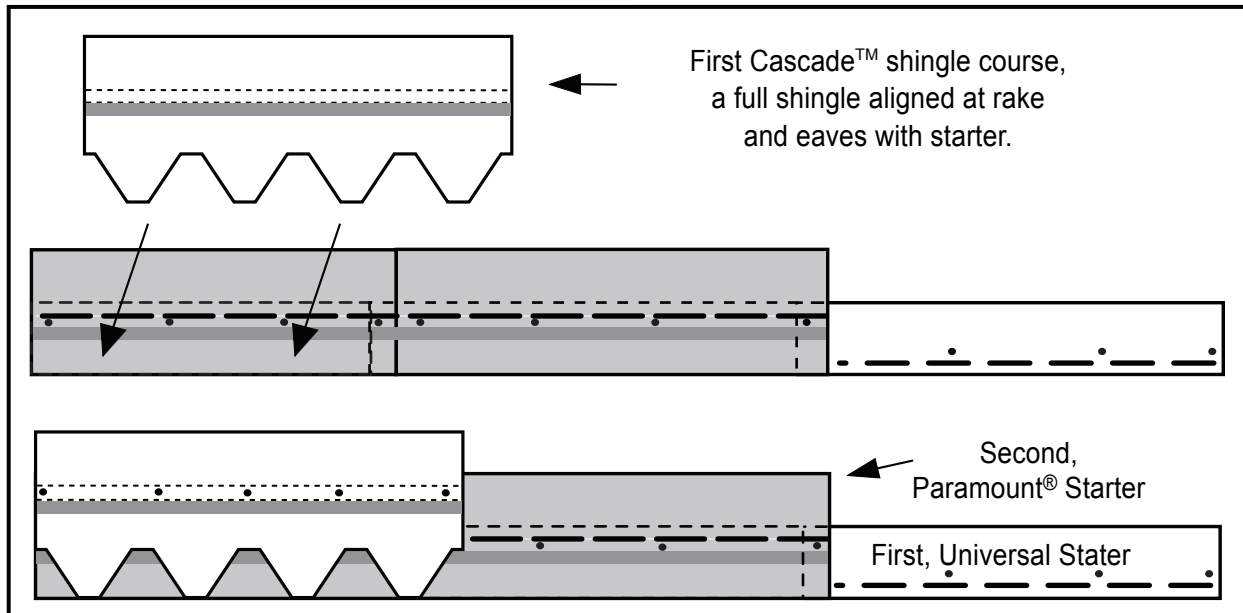
*Signature Cut Shingles*

## Getting Started

The first Cascade™ course is started with a full Cascade™ shingle. Place the shingle at the lower corner of the deck, over the Paramount® Starter. Align the end and the bottom of the shingle teeth with the edges of the Paramount® Starter under it.

For standard slope roofs attach with 5 nails, placed in the nail zone. The nail zone is a band of light colored granules on the face of the shingle 9 1/2" to 11" up from the bottom of the teeth.

Steep slopes (greater than 20" per foot) requires 6 nails and hand sealing. High wind application also requires 6 nails. See our Cascade™ Application Details - Nailing Instructions for additional details.



# CASCADE™

*Signature Cut Shingles*

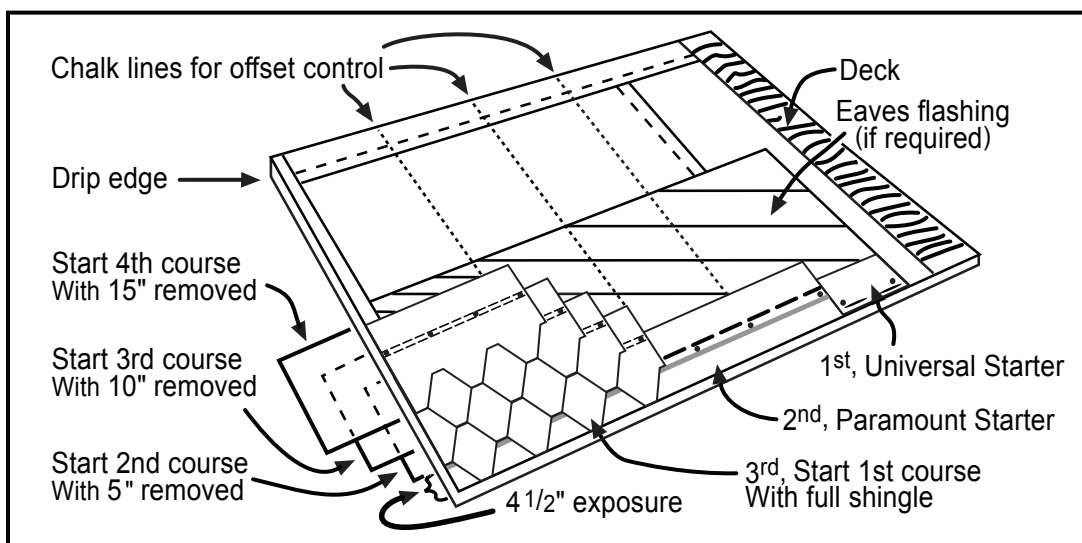
## Getting Started

The second Cascade™ course is started with a Cascade™ shingle with 5" cut off its left end. Apply this 35" long piece over the headlap of the shingle below, flush with the left edge of that shingle. The teeth are 4 1/2" high. Expose 4 1/2" of the shingle below by placing the bottom of the teeth for this shingle even with the top of the area between the teeth of the shingle below.

The third Cascade™ course is started with a Cascade™ shingle with 10" cut off its left end. Apply this 30" long piece over the headlap of the shingle below, flush with the left edge of that shingle, exposing 4 1/2" of the shingle below.

The fourth Cascade™ course is started with a Cascade™ shingle with 15" cut off its left end. Apply this 25" long piece over the headlap of the shingle below, flush with the left edge of that shingle, exposing 4 1/2" of the shingle below.

Courses 5 through 8 are started with partial shingles, progressively 5" shorter than the prior shingle (20", 15", 10" & 5"). You have now established the overall diagonal offset pattern. See the illustration below. Pieces cut from shingles along the left rake may be usable to finish off courses along the right rake.



### The PABCO® Limited Shingle Warranty

PABCO® warrants that our shingles are free from manufacturing defects that adversely affect their performance. PABCO® is not responsible for failures of any roof system that are not directly attributable to a PABCO® product. See the PABCO® Limited Shingle Warranty for details, limits, and conditions.

1718 Thorne Road  
Tacoma, Washington 98421-3207

www.pabcoroofing.com  
Phone (253) 272-0374